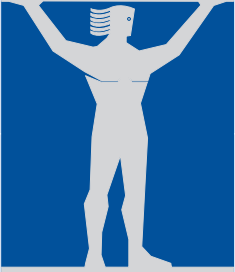


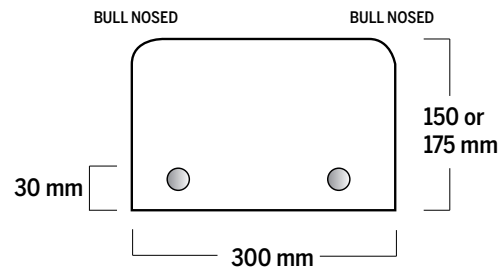
ROBESLEE



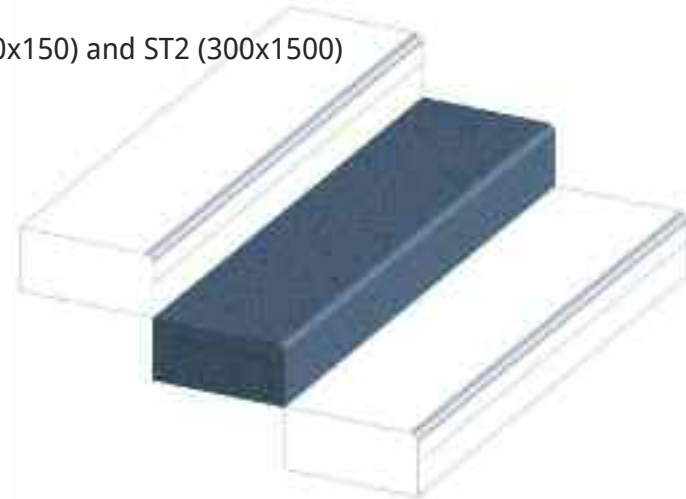
CONCRETE

STEPS

Standard Precast Steps ST1 (300x150) and ST2 (300x1500)



ST1: LENGTH x 300 x 150
ST2: LENGTH x 300 x 1500



SPECIAL SECTIONS MADE TO
CUSTOMERS DESIGN AND SPECIFICATIONS.

- Stock sizes (mm) – 900,1000,1050,1200,1350,1500,1800,2000, 2100 and 2400
- All exposed surfaces are finished smooth
- Reinforcement is for handling (T12) with 30mm cover from bottom
- Non-standard sizes or sections can be made to customer specification
- Steps are made using a 30N concrete
- Ice/Snow must not be removed using de-icing chemicals (e.g. salt).